

EAGLE POINT



& the Upper Rogue

Chamber of Commerce

Chartered in 1995

Eagle Point & Upper Rogue Chamber of Commerce Adopt-A-Hydrant Application



Full Name of Organization/Applicant: _____

Main Contact's Name: _____

Mailing Address: _____

Phone: _____ E-mail: _____

Location of 1st choice hydrant: _____

(hydrants will be assigned on a first come, first served basis)

Location of 2nd choice hydrant: _____

Briefly describe your Adopt-A-Hydrant Painting Design Proposal (max. 50 words):

Please include a complete color proposal of your painting design using the included form. (Required)

Application form and \$75 fee may be submitted by mail or in person to:

11136 Hwy. 62, Eagle Point, OR 97524 · 541-826-6945

PO Box 1539

Monday-Friday 9:00 am - 4:30 pm

www.eaglepointchamber.org · eaglepointupperrogue@gmail.com



EAGLE POINT

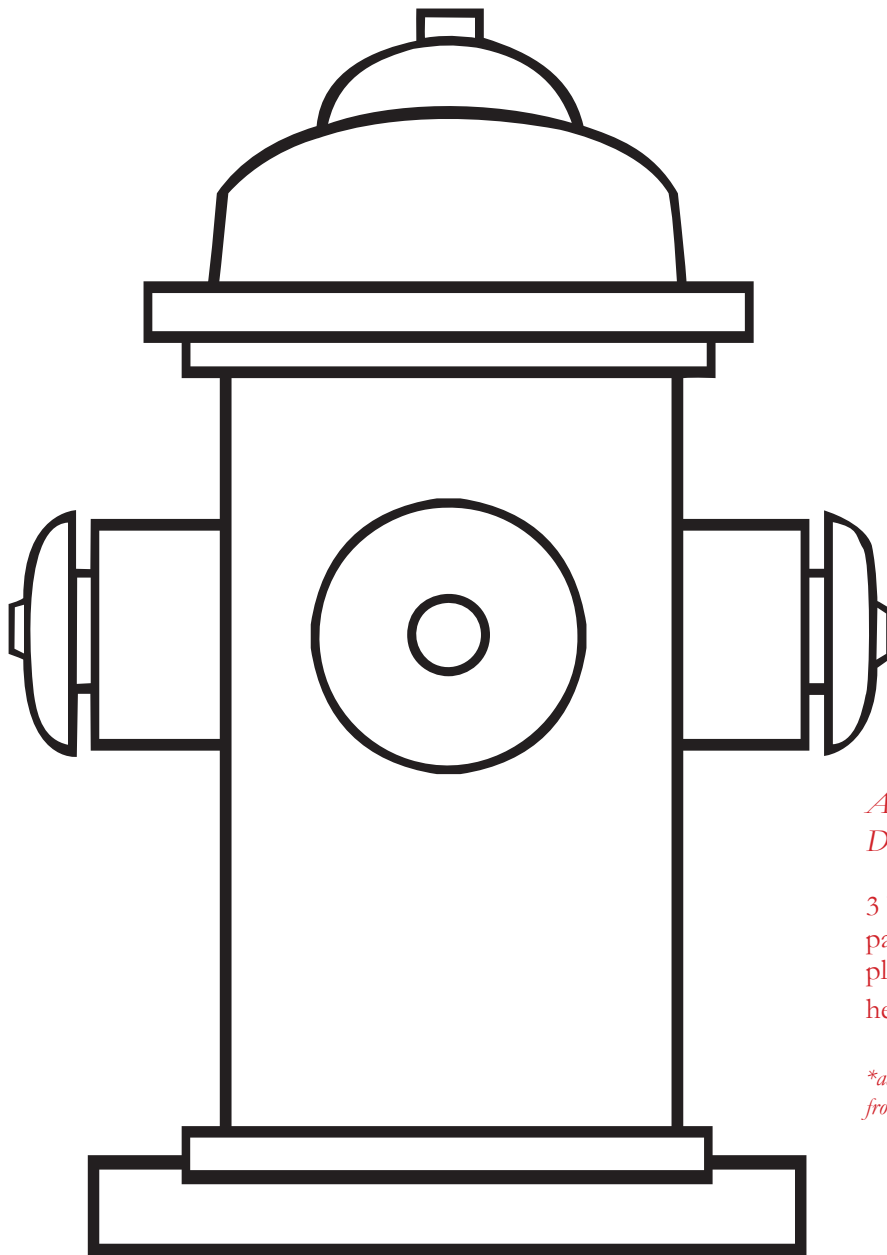


& the Upper Rogue

Chamber of Commerce

Chartered in 1995

Adopt-A-Hydrant Painting Proposal



*Adopt-A-Hydrant
Decoration Kits include:*

3 base colors*
paint brushes
plastic drop cloth
helpful hints

**additional colors can be purchased
from Eagle Point Hardware*

EAGLE & the POINT Upper Rogue

Chamber of Commerce
Chartered in 1995

Eagle Point & Upper Rogue Chamber of Commerce *Fire Hydrant Decoration Rules*



The design should be appropriate for a public space and should not endorse an individual, be political in nature, or be offensive in any way.

Potential design themes include:

- Promoting your business
- Designs by the work of famous artists
- Designs with a whimsical or humorous twist that will make people smile
- Designs that would uniquely connect a particular fire hydrant with its immediate surroundings
- Colorful, abstract designs

The public and private space immediately around the hydrant should be kept clean and neat.

Registration and design approval will begin October 13th 2013. Each hydrant will be adopted for a two year period.

All payments must be made and proposed designs must be submitted the Eagle Point Upper Rogue Chamber for approval.

We have designated specific areas in the city as potential hydrant adoption candidates. They are indicated on the attached map. They include the main entrances to Eagle Point and the business districts.

Applicant must request a specific location first and second choice and be assigned the fire hydrant before starting the design.

Supplies will be provided and are included in the price. Eagle Point Hardware will supply design kit which includes three choices of paint colors, paint brushes, plastic drop cloth and helpful tips.

You must use only the specific paint provided to you by the Chamber/Eagle Point Hardware.

Paint only on your assigned hydrant.

You must use paint only. Nothing can be attached to the fire hydrant.

You must stick to the design submitted in your application. If you desire to make changes, you must seek the approval of the Eagle Point Upper Rogue Chamber Fire Hydrant Committee.

11136 Hwy. 62, Eagle Point, OR 97524 · 541-826-6945

PO Box 1539

Monday-Friday 9:00 am - 4:30 pm

www.eaglepointchamber.org · eaglepointupperrogue@gmail.com



EAGLE & the POINT Upper Rogue

Chamber of Commerce
Chartered in 1995

Eagle Point & Upper Rogue Chamber of Commerce Fire Hydrant Decoration Rules (continued)



If rules are not followed your hydrant will be painted over. The Eagle Point Upper Rogue Chamber will not refund application fee in cases of not adhering to the rules of the program.

Fire hydrants that fall into a state that no longer enhance the immediate area will, after notice will be painted over. For example a hydrant that begins to peel or otherwise deteriorate.

Any questions should be addressed to the Eagle Point Upper Rogue Chamber Hydrant Committee at info@eaglepointchamber.org

By participating in the Adopt-A-Hydrant Program you acknowledge that the City of Eagle Point and the Eagle Point Upper Rogue Chamber and its affiliates are not responsible in any way for any injury or property damage directly or indirectly associated with this promotion.

Application Fee \$75

By signing, the participant is agreeing to all of the above rules, guidelines and criteria associated with the fire hydrant.

Business/Organization/Name: _____

Signature: _____

Dated: _____

11136 Hwy. 62, Eagle Point, OR 97524 · 541-826-6945
PO Box 1539
Monday-Friday 9:00 am - 4:30 pm
www.eaglepointchamber.org · eaglepointupperrogue@gmail.com

